

## Very Quiet, Low Velocity Cooler

**Air Defrost - 2,572 to 6,629 BTU/H Capacity**

**Application - Vertical mounting, small to medium wine rooms**

LRC's Vertical Rack Mount (VRM) Low Noise Evaporators are designed for installation in a corner of a wine room to unobtrusively provide quiet cooling. VRM Evaporators quietly supplies refrigerated and humidity controlled air to medium and high temperature spaces, making them an ideal choice for small to medium size wine rooms.

VRM Evaporator units are available in capacities from 2,572 to 6,629 BTU's per hour and can be used with R-22, R134a or R404a refrigerants. Chilled water models are available by special order.

VRM units have multiple access doors that can be removed as needed for air intake and exhaust depending on how the unit is installed. The VRM's Motor Speed Control (standard) allows for the adjustment of overall airflow through the unit while allowing the room humidity to be maintained within an acceptable range.

Contact LRC's Application Engineers for more information.

- Low noise design for minimum acoustical impact
- Compact design allows unit to be inconspicuously integrated into a wine room decor
- Maintains maximum room humidity to prevent degradation of wine bottle labels or other sensitive items
- High performance staggered

coils, with copper tubing mechanically expanded into aluminum collared fins

- Insulated rust-proof aluminum housing
- Secondary drain pan standard
- Thermally protected motors
- Each coil pressure tested to over 380 psig for maximum system integrity
- Factory wired for easy field installation
- Expansion and liquid line solenoid valve pre-installed
- Coil and drain pan coated with LRCCoat™ anticorrosion coating
- ETL listed

### **Options Available— Call for details**

- Copper coils and/or stainless steel cabinets available for harsh environments
- Humidity controls available
- Pre-charged, custom or OEM units can be made to your order

Our Application Engineers can help you design the system you need. Call us today, 562-944-1969, and we'll help you get the right LRC product for your project.



### **OUR UNCONDITIONAL GUARANTEE**

We're proud of the workmanship that goes into every LRC product. Because of our exacting design and manufacturing standards, and our thorough testing prior to shipping, we unconditionally guarantee our products to be free from manufacturing defects for one year. You can count on LRC Coil for quality heat transfer products.

**Extremely  
Quiet  
Unit**

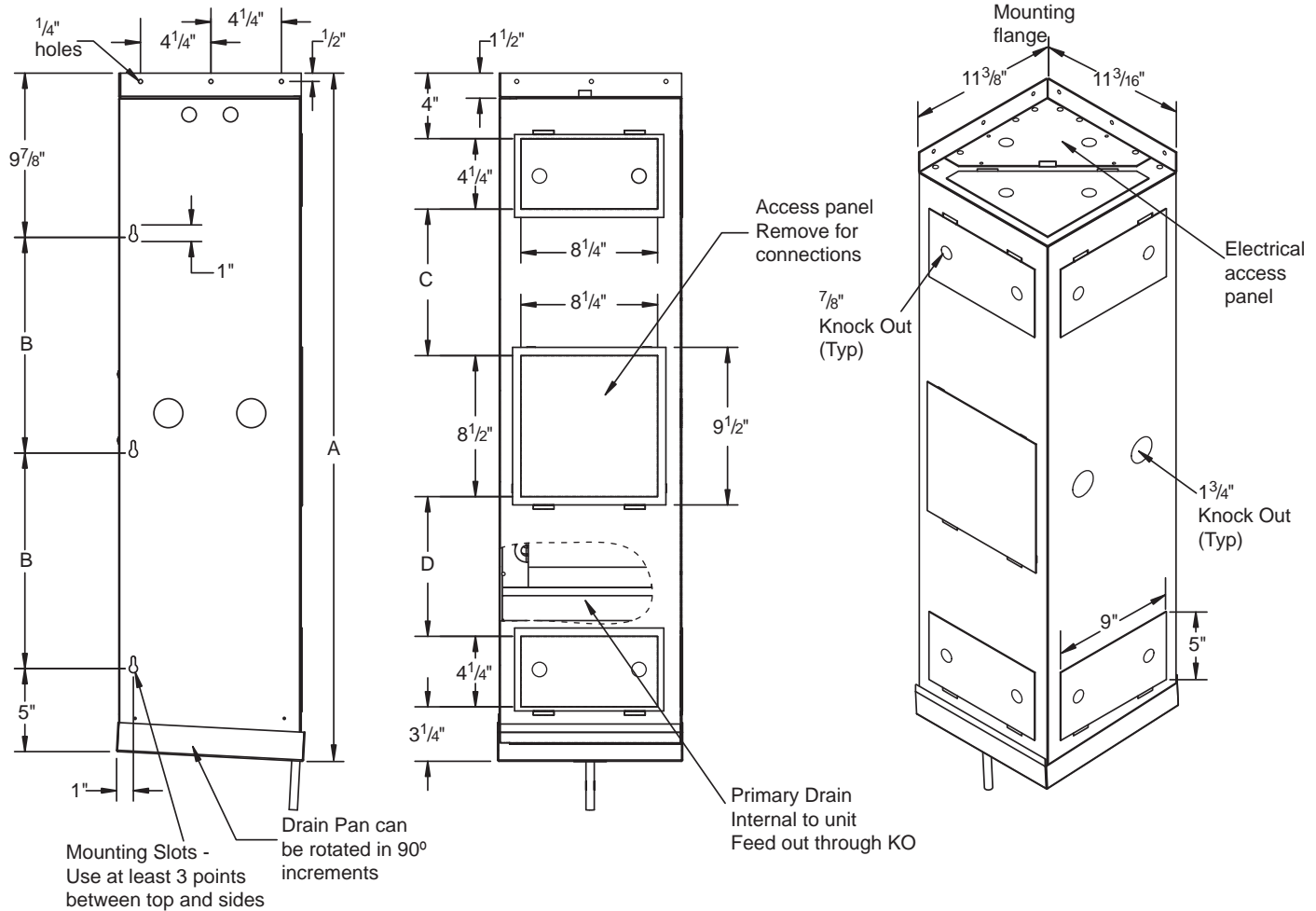


**Installation and maintenance  
data, and wiring diagrams.**

At LRC, we are continuously working to improve our products, therefore, we reserve the right to make changes without notice.

© LRC Coil Company 2010

All measurements are in inches.



**Vertical Rack Mount (VRM) Specifications**

| Model No. | 115V<br>Amps | CFM | BTUH Cap. @ 17° TD<br>38° ST, 55° EAT |       |
|-----------|--------------|-----|---------------------------------------|-------|
|           |              |     | R22                                   | R134a |
| VRM-25    | 0.77         | 220 | 2,654                                 | 2,572 |
| VRM-35    | 0.77         | 260 | 3,543                                 | 3,228 |
| VRM-50    | 0.77         | 335 | 4,996                                 | 4,550 |
| VRM-65    | 1.85         | 420 | 6,629                                 | 6,500 |

**Vertical Rack Mount (VRM) Physical Data**

| Model No. | Dimensions |    |         |          | Connections |       | Unit<br>Wt. |
|-----------|------------|----|---------|----------|-------------|-------|-------------|
|           | A          | B  | C       | D        | Liq.        | Suct. |             |
| VRM-25    | 41 1/2     | 13 | 8 13/16 | 8 7/16   | 3/8         | 3/8   | 48          |
| VRM-35    | 45 1/2     | 15 | 9 5/16  | 11 15/16 | 3/8         | 3/8   | 50          |
| VRM-50    | 47 1/2     | 16 | 9 5/16  | 13 15/16 | 3/8         | 1/2   | 59          |
| VRM-65    | 51 1/2     | 18 | NA      | NA       | 3/8         | 1/2   | 63          |

Expansion valve and liquid line solenoid valve standard  
For air flow into and out of the unit, at least one access door  
must be removed from each end.  
Custom configurations available; call factory for details.

Please note:

- LRC cooling units are designed to minimize noise and vibration. To reduce/eliminate amplification of existing noise or vibration, extreme care must be taken during installation. Please refer to supplied installation instructions and use proper installation materials to minimize acoustic impact.
- The use of oversized condensing units can lead to poor wine room evaporator performance and possible system failure. When installing a LRC wine room evaporator, it is recommended that condensing units be sized LESS than or equal to the evaporator capacity. Contact LRC Coil's Application Engineers at 562-944-1969 for assistance.
- LRC recommends evaporator maintenance access is designed into every wine room installation.

Our website has a Wine Room Capacity Calculator that instantly determines room loads and capacities, enabling you to know cooling equipment requirements based on your exact specifications. Visit [LRCCoil.com](http://LRCCoil.com) for details.

Our Application Engineers can help you design the system you need. Call us today, 562-944-1969, and we'll help you get the right LRC product for your project.